

GE15012KF

PN: BTVGCLTODHLKFCN01B

EAN: 6422956012755

Specifications

Battery Model	GE15012KF
Voltage	12V
Power (1.67V/cell@15min)	412.01W/cel
Type	Valve regulated lead-acid (VRLA), 6 cell, GEL - maintenance free
Designed Floating Life	Up to 12 years (25°C) Eurobat (20°C) : 10 - 12 years standard commercial
Nominal Operating Temp. Range	25°C ± 3°C
Terminal	T11
Construction	
Container & Cover	ABS
Safety valve	EPDR
Terminal	Copper
Internal Resistance	Full charged at 25°C ≤ 3,5mΩ
Self Discharge (20°C)	3% of capacity declined per month
Capacity affected by temperature	
40°C	102%
25°C	100%
0°C	85%
Charge Voltage (25°C)	
Cycle use	14.4V - 15.0V max. Current: 45A
Float use	13.6V - 13.8V
Physical	
Without Terminal	484x 170 x 242 mm
With Terminal	484 x 170 x 247 mm
Product Weight	43.3kg



Completely sealed and maintenance-free



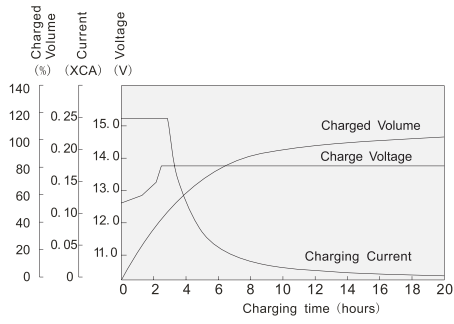
Excellent charging and re-charging



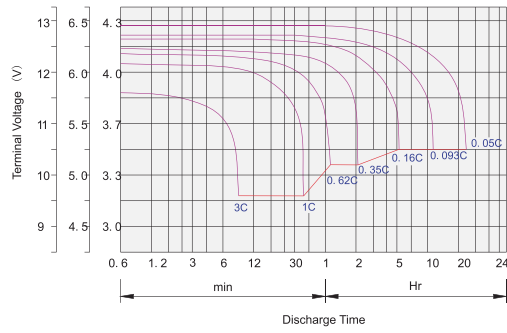
Long Life & low self-discharge design

- Gel deep cycle technology
- Excellent charging and re-charging
- Stable and reliable for long-term
- Low self-discharge
- Floating & standby use: 12 years
- More than 400 cycles at 100% DOD
- Multiple Application: Alarm and Security Systems, Cable Television, Communication Equipment, Power Tools, Control Equipment, Medical Equipment, UPS, Toys, Solar Systems

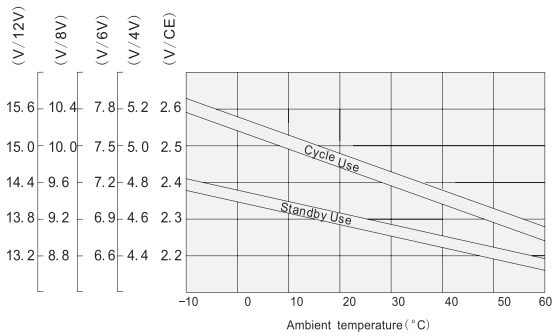
Constant voltage charging characteristic (0.25 CA, at 25°C)



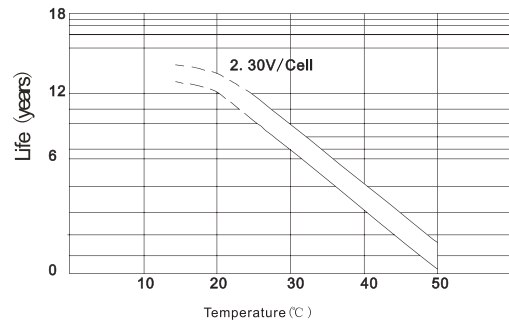
Discharge Characteristics



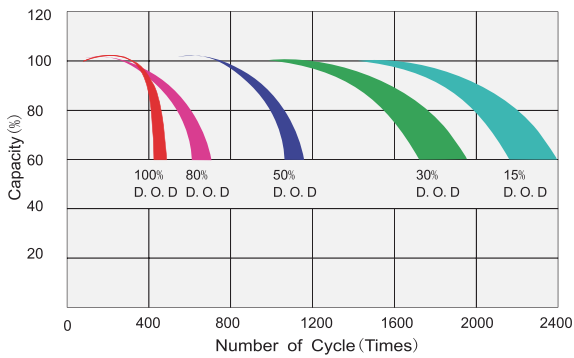
Temperature Effects in Relation to Battery Capacity



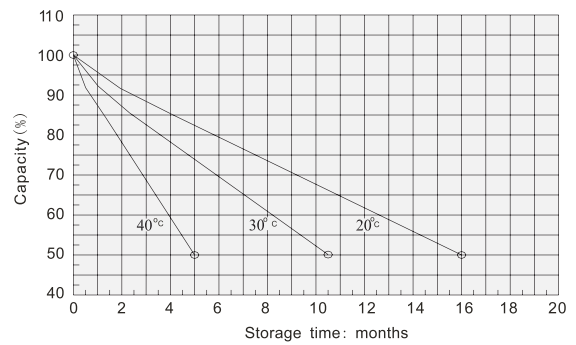
Effect of Temperature on Long Term Float Life



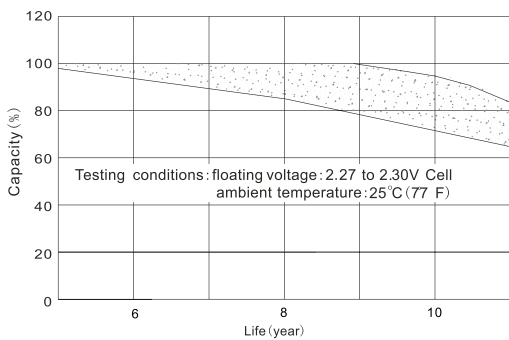
Cycle Life in Relation to Depth of Discharge



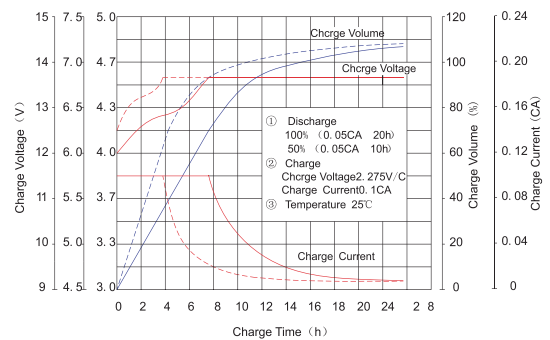
Self Discharge Characteristics



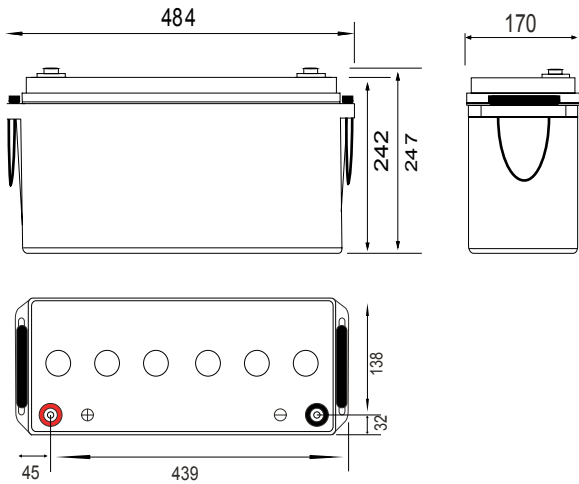
Life characteristics of standby use



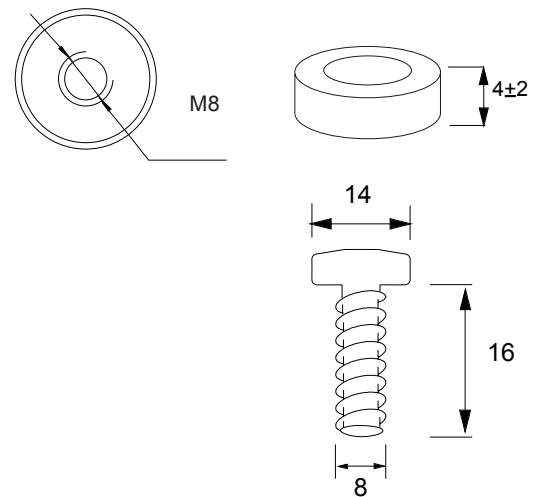
Charge characteristic Curve for standby use



Dimensions (mm)



T8 Terminal Dimensions (mm)






Constant Current Discharge Characteristics (A), 25°C

F.V/Ti	15min	30min	60min	90min	2Hr	3Hr	5Hr	10Hr	20Hr
1.80V/cell	191.104	160.705	86.739	63.848	54.420	38.793	26.621	14.758	7.553
1.75V/cell	199.286	164.391	87.391	64.304	54.766	39.000	26.696	15.000	7.810
1.70V/cell	208.052	167.340	88.696	65.152	55.112	39.246	26.837	15.129	7.936
1.67V/cell	213.312	168.814	89.348	65.217	55.250	39.346	26.844	15.323	8.153
1.60V/cell	225.000	172.500	90.000	65.870	55.527	39.553	26.993	15.565	8.582

Constant Wattage Discharge Characteristics (W), 25°C

F.V/Ti	15min	30min	60min	90min	2Hr	3Hr	5Hr	10Hr	20Hr
1.80V/cell	370.359	320.673	173.913	128.015	109.025	77.857	53.429	29.649	15.173
1.75V/cell	385.618	327.880	175.000	128.609	109.696	78.234	53.551	30.113	15.679
1.70V/cell	402.164	333.519	177.174	130.174	110.408	78.689	53.809	30.349	15.920
1.67V/cell	412.013	336.447	178.261	130.252	110.638	78.866	53.808	30.722	16.347
1.60V/cell	434.250	343.620	179.550	131.522	111.099	79.139	54.008	31.142	17.172

Logistics

	Carton Box Size	490 x 250 x 273 mm
	Pieces in the Carton Box	1 pc / ctn
	Net & Gross weight / CTN	N.W. / G.W.: 43.3 kg / 43.7 kg

