

GE10012KF

PN: BTVGCAHOCHKKFCN01B
EAN: 6422956012748

Specifications

Battery Model	GE10012KF
Voltage	12V
Power (1.67V/cell@15min)	311.29W/cell
Type	Valve regulated lead-acid (VRLA), 6 cell, GEL - maintenance free
Designed Floating Life	Up to 12 years (25°C) Eurobat (20°C) : 10 - 12 years standard commercial
Nominal Operating Temp. Range	25°C ± 3°C
Terminal	T11

Construction

Container & Cover	ABS
Safety valve	EPDR
Terminal	Copper
Internal Resistance	Full charged at 25°C ≤ 3,5mΩ
Self Discharge (20°C)	3% of capacity declined per month

Capacity affected by temperature

40°C	102%
25°C	100%
0°C	85%

Charge Voltage (25°C)

Cycle use	14.4V - 15.0V max. Current: 30A
Float use	13.6V - 13.8V

Physical

Without Terminal	329 x 172 x 218 mm
With Terminal	329 x 172 x 225 mm
Product Weight	29.7 Kg



Completely sealed and maintenance-free



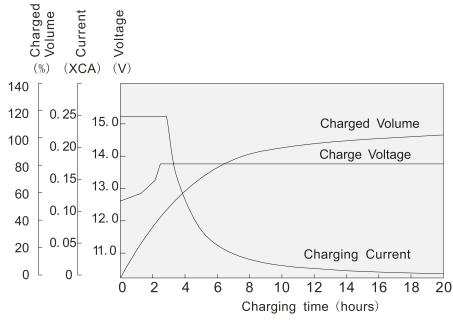
Excellent charging and re-charging



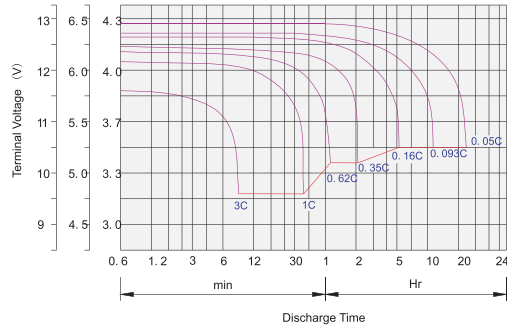
Long Life & low self-discharge design

- Gel deep cycle technology
- Excellent charging and re-charging
- Stable and reliable for long-term
- Low self-discharge
- Floating & standby use: 12 years
- More than 400 cycles at 100% DOD
- Multiple Application: Alarm and Security Systems, Cable Television, Communication Equipment, Power Tools, Control Equipment, Medical Equipment, UPS, Toys, Solar Systems

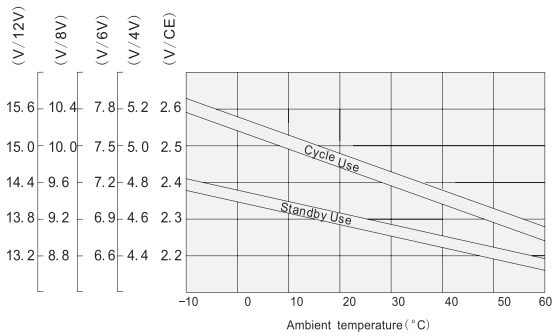
Constant voltage charging characteristic (0.25 CA, at 25° C)



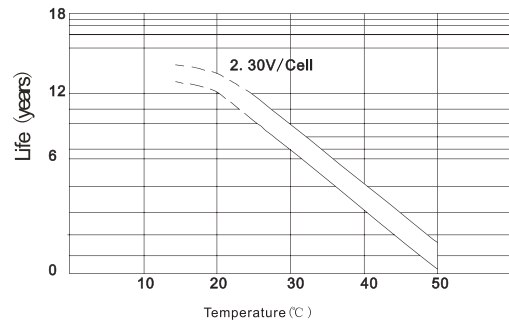
Discharge Characteristics



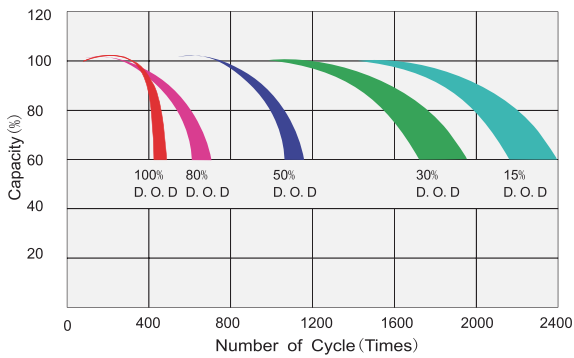
Temperature Effects in Relation to Battery Capacity



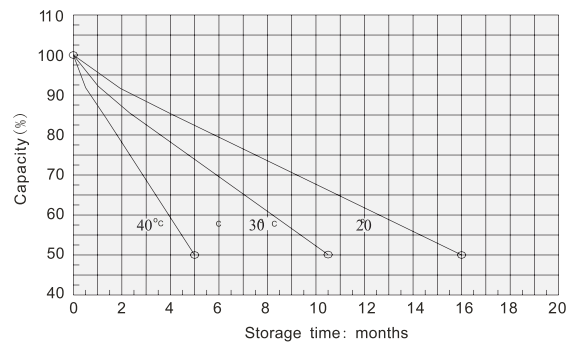
Effect of Temperature on Long Term Float Life



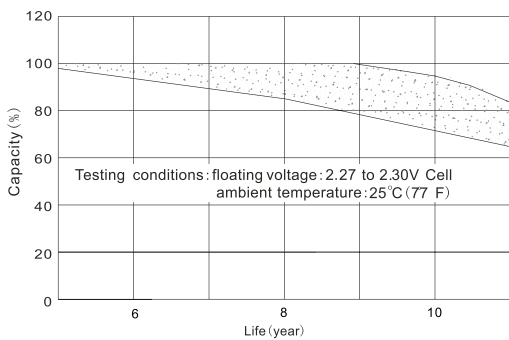
Cycle Life in Relation to Depth of Discharge



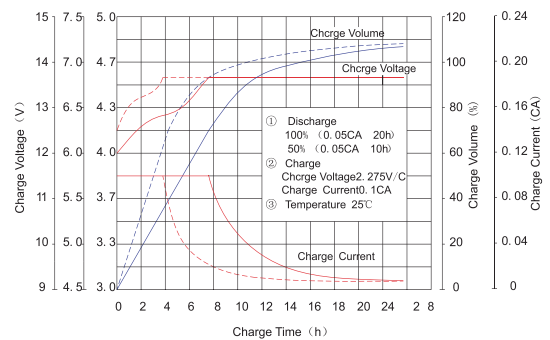
Self Discharge Characteristics



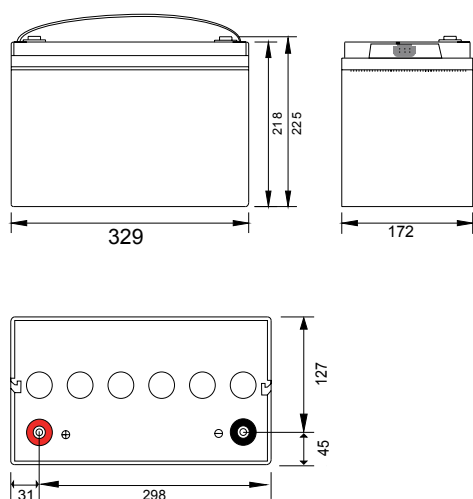
Life characteristics of standby use



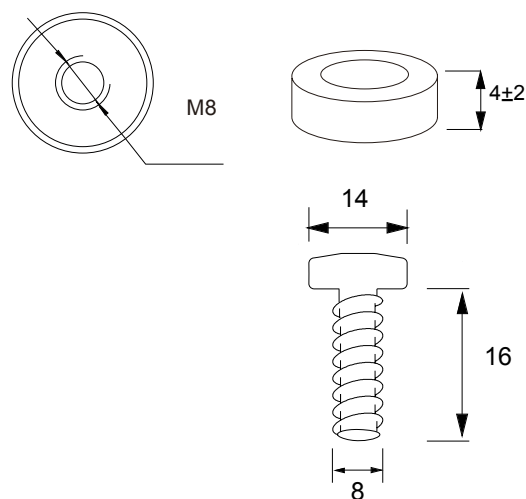
Charge characteristic Curve for standby use



Dimensions (mm)



T8 Terminal Dimensions (mm)






Constant Current Discharge Characteristics (A), 25°C

F.V/Ti	15min	30min	60min	90min	2Hr	3Hr	5Hr	10Hr	20Hr
1.80V/cell	144.390	95.585	53.489	39.373	36.280	25.862	17.747	9.839	5.038
1.75V/cell	150.571	97.777	53.891	39.654	36.511	26.000	17.797	10.000	5.210
1.70V/cell	157.195	99.531	54.696	40.177	36.741	26.164	17.892	10.086	5.294
1.67V/cell	161.169	100.408	55.098	40.217	36.833	26.230	17.896	10.215	5.439
1.60V/cell	170.000	102.600	55.500	40.620	37.018	26.369	17.995	10.376	5.725

Constant Wattage Discharge Characteristics (W), 25°C

F.V/Ti	15min	30min	60min	90min	2Hr	3Hr	5Hr	10Hr	20Hr
1.80V/cell	279.827	190.731	107.246	78.943	72.683	51.904	35.619	19.766	10.122
1.75V/cell	291.356	195.018	107.917	79.309	73.131	52.156	35.701	20.075	10.459
1.70V/cell	303.858	198.371	109.257	80.274	73.605	52.459	35.873	20.233	10.620
1.67V/cell	311.299	200.113	109.928	80.322	73.759	52.578	35.872	20.481	10.905
1.60V/cell	328.100	204.379	110.723	81.105	74.066	52.759	36.006	20.761	11.455

Logistics

	Carton Box Size	345 x 182 x 275 mm
	Pieces in the Carton Box	1 pc / ctn
	Net & Gross weight / CTN	N.W. / G.W.: 29.7 kg / 30.7 kg

