

# NanoBracket® for NBE-M5-16

BRACKET FOR NANOBEAM® M5-16

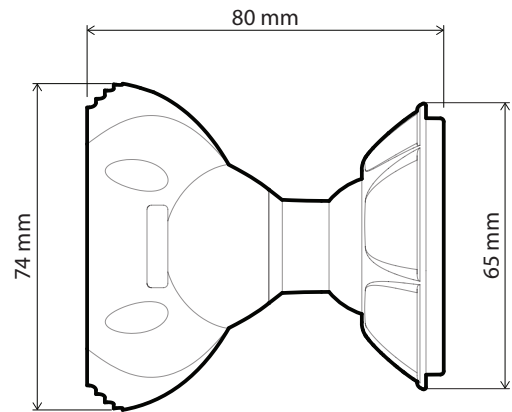
NanoBracket® for NBE-M5-16 is a mounting system designed for NanoBeam® M5-16 from UBNT. The 3rd Generation of popular NanoBracket® Series is an ultra-compact solid bracket made of resistant ABS plastic. The patent pending ball hinge allows for 70° of smooth and precise adjustment in azimuth, elevation and rotation.



## TECHNICAL DATA

Materials	Bracket, Holder - UV stabilized and weather resistant ABS plastic Hardware - Stainless Steel
Flame Rating	UL 94 HB
Pole Mounting Diameter	50-70 mm
Wall Mounting	Yes
Operating Temp.	-30 to + 60 °C
Wind Survival	120 Km/h
Weight	0.13 Kg / 0.28 lbs – single unit incl. package 7 Kg / 15.4 lbs – carton (50 units)
Single Unit	Retail Box: 10 × 8 × 7 cm
50 units	Carton Box: 52 × 37 × 20 cm

## PRODUCT DIMENSIONS



## COMPATIBLE WIRELESS PLATFORMS

Ubiquiti Networks™ | NanoBeam® M5-16

## PACKAGE CONTENTS

Bracket Body  
Screw 3,5 x 45 mm (4 pcs)  
Wall Plug (4 pcs)

