

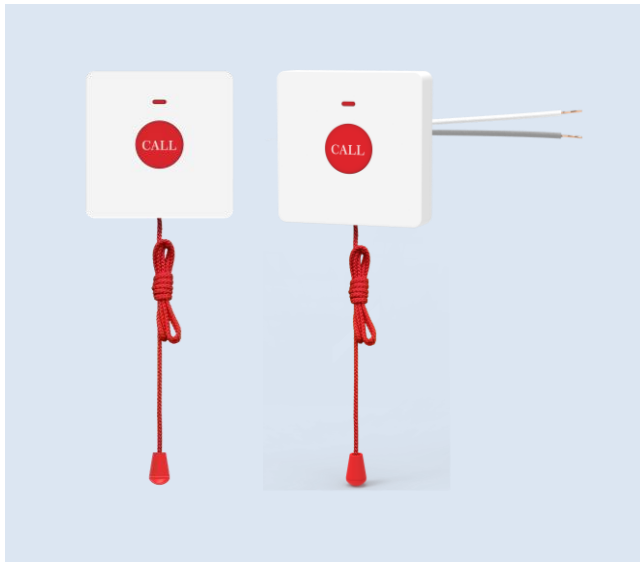


Fanvil KT31 Emergency Button

Fanvil KT31 is a wall-mounted emergency button, which is mainly used in places such as bathrooms to provide immediate help to users in emergency situations. This button allows users to signal help easily and quickly.

Highlihgts

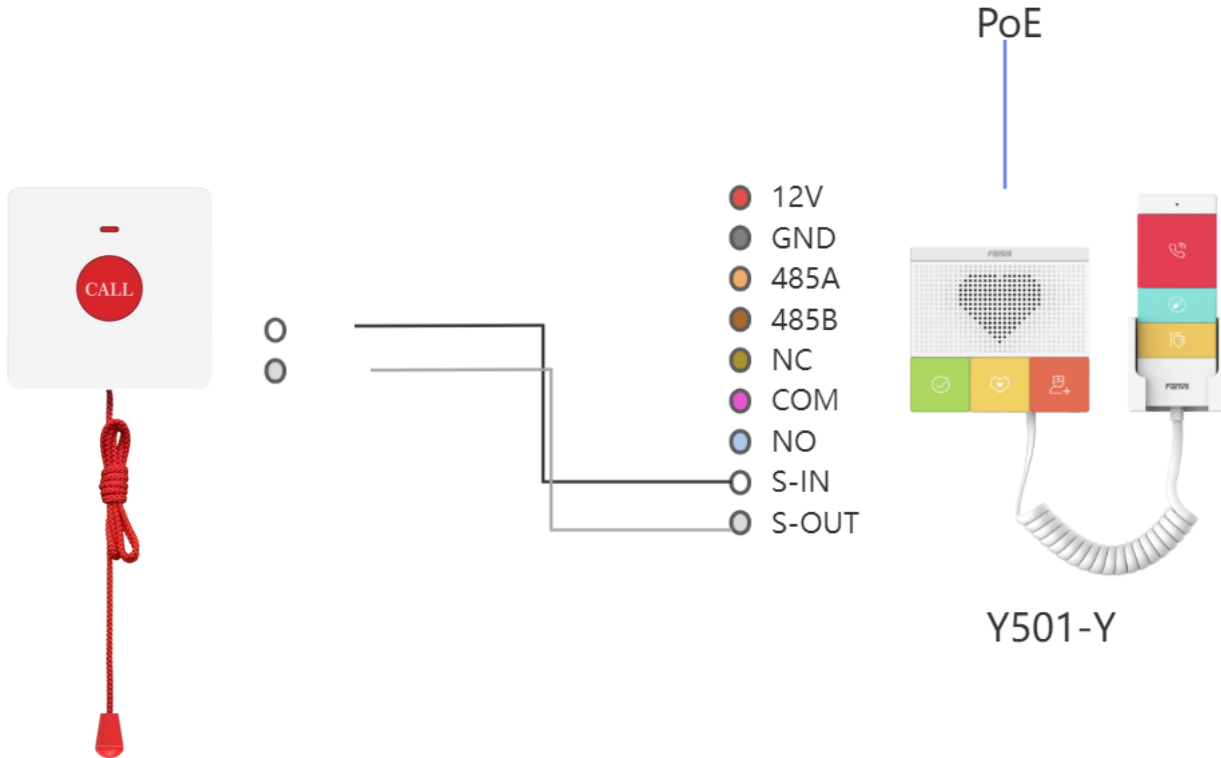
- ✓ IP44 waterproof and dustproof.
- ✓ Button with extended drawstring design for emergency assistance in case of fall. The pull- cord length is 2 meters.



Model	KT31
Applicable Models	Y501/Y501-Y Series
Product Dimensions (L*W*H)	86mm*86mm*19mm
Material	ABS
Number of Keys	1
Operating Life	50,000 Times
Protection Grade	IP44
Pull-cord Length	2 meters
Working Temperature	-20°C ~ +55°C

Connection Diagram

To connect the wired button to the Y501/Y501-Y device, match the interfaces and wire colors as follows, Once connected, power on the device.



Web Configuration

The basic steps for configuring the webpage are as follows:

1. Obtain the device IP and enter it in the browser to log in. Navigate to **Security Settings >> Input Port Settings**.
2. Choose the trigger by mode, defaulting to low-level triggering.
3. Select the trigger action:
 - 3.1 Send Short Message: Choose whether to send a short message.
 - 3.2 Trigger Shortcut: Select the shortcut key to trigger, defaulting to none.
 - 3.3 Trigger Ringtone: Choose the desired trigger ringtone, defaulting to none.
4. After completing the above configurations, click "**Submit**".

Security Settings

2

Basic Settings

Ringtone Duration: 5 (1~600)s

Input & Tamper Server Address: [?]

Message: Alarm_Info:Description=\$model,SIP User=\$active_user,Mac=\$mac,IP=\$ip,port=\$trigge

Apply

Input Settings >>

3

Input1:

Input Name: input1

Input Reset Code: 1234

Triggered By: Low Level Trigger(Close Trigger)

Input Duration: 0 (0.00~3600)s

Triggered Action: Send SMS

Dss Key: DssKey2

Triggered Ringtone: None

Apply

Output Settings >>

1

The above specifications may be updated in the future without prior notice. All hardware/software/physical features should be based on the final shipped products. For more information, please visit: www.fanvil.com

www.fanvil.com

Add:10/F Block A, Dualshine Global Science Innovation Center,Honglang North 2nd Road, Bao'an District, Shenzhen, China, 518100

Tel: +86-755-2640-2199 Fax: +86-755-2640-2618 Email: sales@fanvil.com

